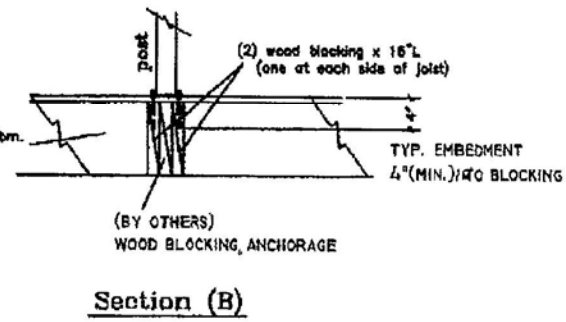
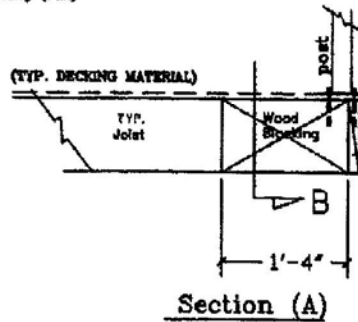
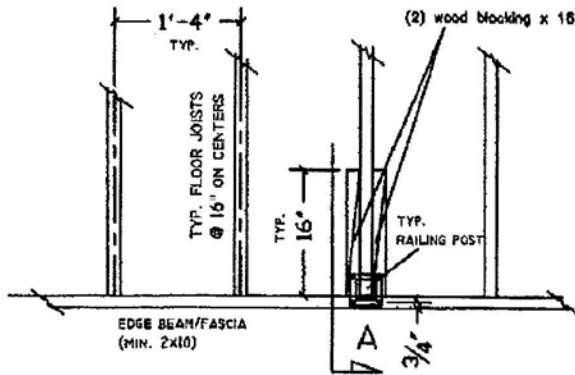
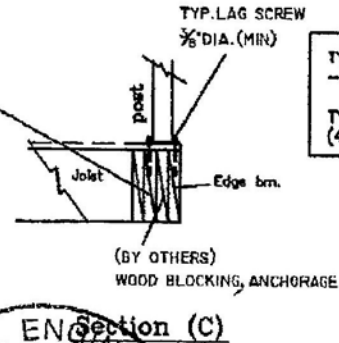
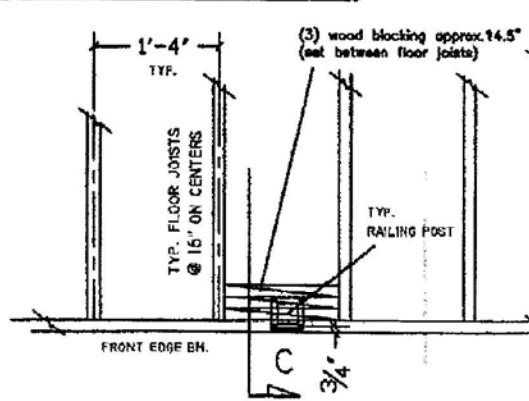


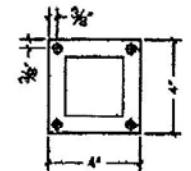
REGAL POST - TOP MOUNT TO DECK BOARD, FLOOR JOISTS PARALLEL TO BLOCKING



REGAL POST - TOP MOUNT TO DECK BOARD, FLOOR JOISTS PERPENDICULAR TO BLOCKING



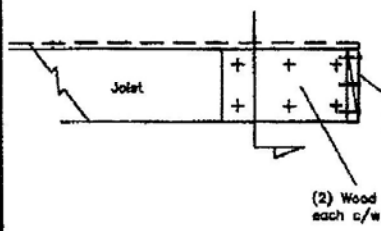
TYP. Regal Post c/w base plate: 4x4"x1/2"
- (4) holes to suit anchor bolts.
TYP. anchor - 3/8" dia. x 6" L lag screws
(4) per post; embedment = 4" min.



TYP. Regal Post base plate

TYP. Nailing Diagram for wood blocking:

FLOOR JOISTS PARALLEL TO BLOCKING



FLOOR JOISTS PERPENDICULAR TO BLOCKING



CUSTOMER:	Regal Ideas
SUBJECT:	Regal Classic Railing POST ANCHORING DETAIL
DATE:	5/AUG/2014
REV. NO.:	3-2358
SCALE:	N.T.S.

CERTIFICATION VALID FOR SYSTEMS

A.C. JUNK
(under 6071119)



STRATUM ENGINEERING INC.
 8818 COPPER RIDGE DR.
 CHILLIWACK, B.C.
 V2R 5V2
 604-818-7272
 604-702-0218
 pierson.stratum@shaw.ca

DATE
 JULY 2014

SCALE
 NTS

JOB NO

DRAWN
 CRW

CHECKED
 JKP

SHEET
 SS2 OF SS3

PROJECT:
 TYPICAL RESIDENTIAL
 GUARDRAIL POST
 ANCHORAGE DETAILS

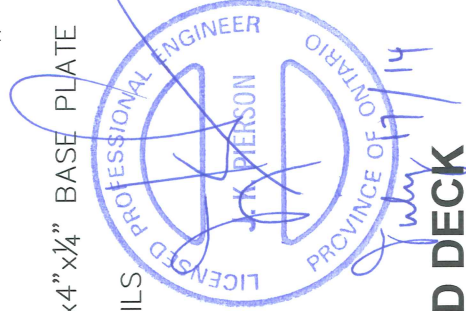
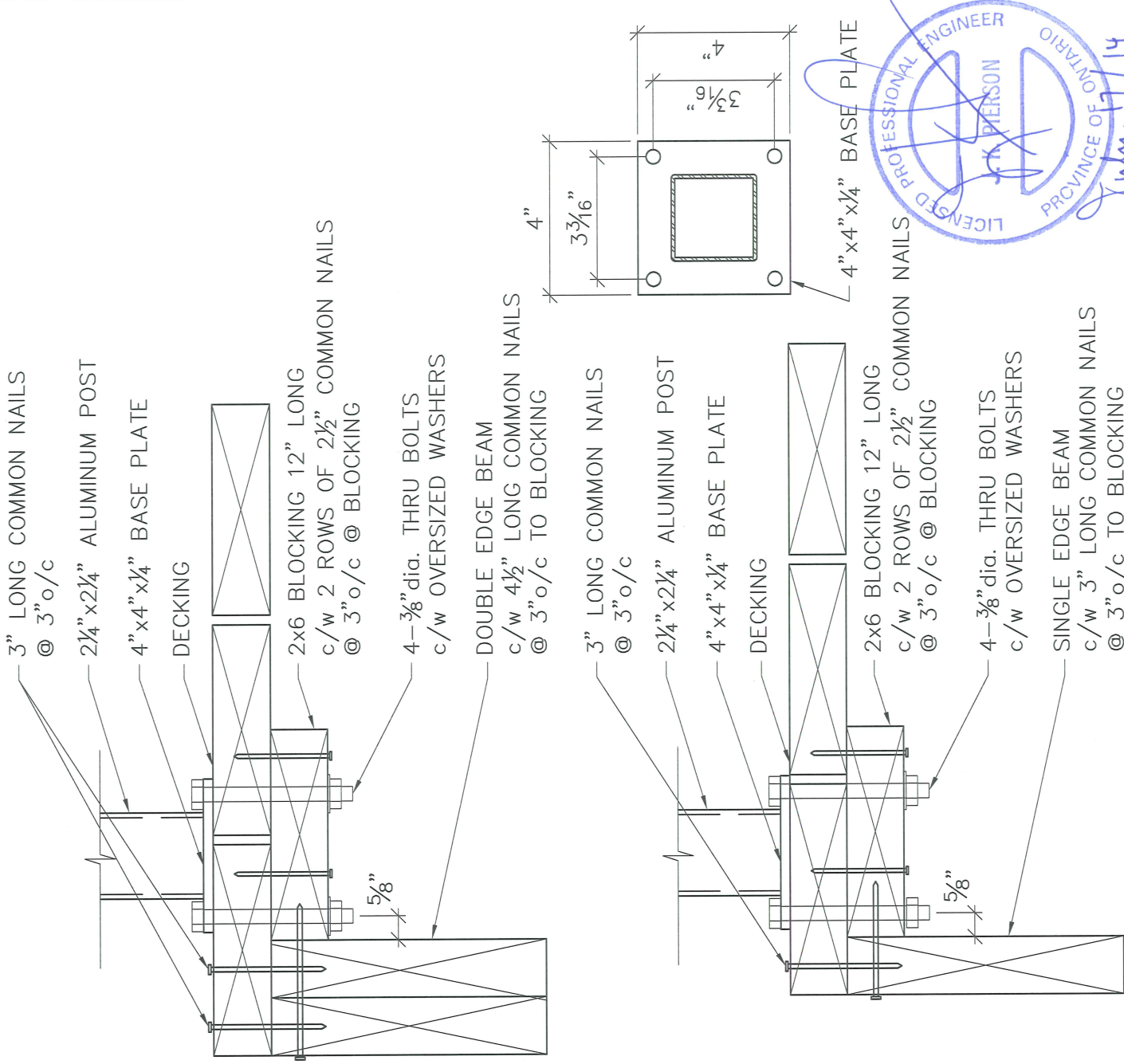
REGAL ALUMINUM PRODUCTS

TITLE:

GUARDRAIL POST
 ANCHORAGE TO WOOD DECK

NO: 1 DATE 14/07/14

ISSUED FOR CONST.
 ISSUED/REVISIONS



SECTIONS THRU WOOD OR COMPOSITE WOOD DECK

NOTE:

- ALUMINUM POST & BASE PLATE PROPRIETARY & DESIGNED BY OTHERS
- ALL WOOD MEMBERS TO BE PRESSURE TREATED No.1/No.2 GRADE MINIMUM
- RESPONSIBILITY FOR BASE STRUCTURE TO SUPPORT GUARDRAIL LOADING BY OTHERS



STRATUM ENGINEERING INC.
 8818 COPPER RIDGE DR.
 CHILLIWACK, B.C.
 V2R 5V2
 604-818-7272
 604-702-0218
 pierson.stratum@shaw.ca

DATE JULY 2014

SCALE NTS

JOB NO

DRAWN CRW

CHECKED JKP

SHEET SS1 OF SS3

PROJECT:

TYPICAL RESIDENTIAL
 GUARDRAIL POST
 ANCHORAGE DETAILS

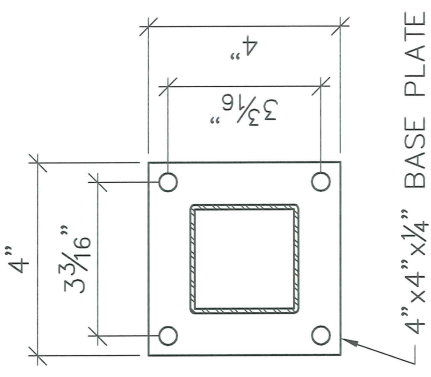
REGAL ALUMINUM PRODUCTS

TITLE:

GUARDRAIL POST
 ANCHORAGE TO CONCRETE

NO: 1 DATE 14/07/14 ISSUED FOR CONST.

ISSUED/REVISIONS



2 1/4" x 2 1/4" ALUMINUM POST

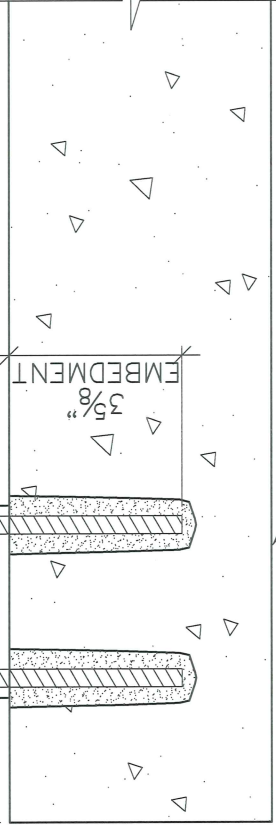
4" x 4" x 1/4" BASE PLATE

4- 3/8" dia. THREADED RODS
 c/w HILTI HY150 ADHESIVE
 (OR APPROVED EQUIVALENT)
 DRILL & PREPARE HOLES
 IN STRICT ACCORDANCE
 WITH MANUFACTURERS INSTRUCTIONS
 OR

4- 1/2" dia. TRUBOLT WEDGE
 ANCHORS

3" MIN.

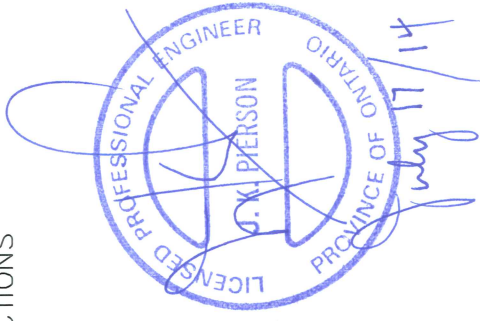
5 1/2" MIN.



CONCRETE SLAB

f'c = 28 MPa MIN.

(CONTRACTOR TO CONFIRM AND ENSURE CONCRETE
 SLAB REINFORCEMENT IS NOT COMPROMISED BY
 ANCHOR INSTALLATION)



SECTION THRU CONCRETE SLAB

NOTE:

- ALUMINUM POST & BASE PLATE PROPRIETARY & DESIGNED BY OTHERS
- RESPONSIBILITY FOR BASE STRUCTURE TO SUPPORT GUARDRAIL LOADING BY OTHERS